



Controls Ltd.

INSTRUCTION MANUAL

CVS Series Isolation Valve

Introduction

The CVS Series Isolation Valve is the ideal solution to allow calibration or servicing of The CVS Controls Series 2000 Pressure Pilot without shutting down the process flow line.

Features

Quarter turn open/closed operation

Lockout feature – Allows Isolation Valve to be in locked out in either fully open or fully closed position.

Safety Feature – Blow out proof stem prevents the isolation valve stem to be removed while under pressure

Spring loaded stem seal allows for temperature fluctuations, providing a tight seal due to expansion and contraction. As well as normal wear.

Seating provides a low pressure seal as well as high pressure support while minimizing operating torque. Slotted seats relieve upstream pressure to provide extended service life and lower operating torques.

ABSA CRN# 0C16004.2



Specifications

Model - CVS IB-2	
Maximum Working Pressure	3000 PSIG
Temperature Rating	-45°C to 65°C (-50°F to 50°F)
Sensor Connection	2" NPT Female
Process Connection	1-1/2" NPT Male
Side Connections	Two Female 1/2" NPT
Weight	12 lbs

OPTIONAL:

Pressure Gauge
Side Needle Valve
Flanged Process Connection
Sour Service

Contact a CVS Controls Representative for more information.

Head Office

3900 101 Street
Edmonton, Alberta
T6E 0A5
Canada

Office: (780) 437-3055

Fax: (780) 436-5461



Website: www.cvs-controls.com

Email: info@cvs-controls.com

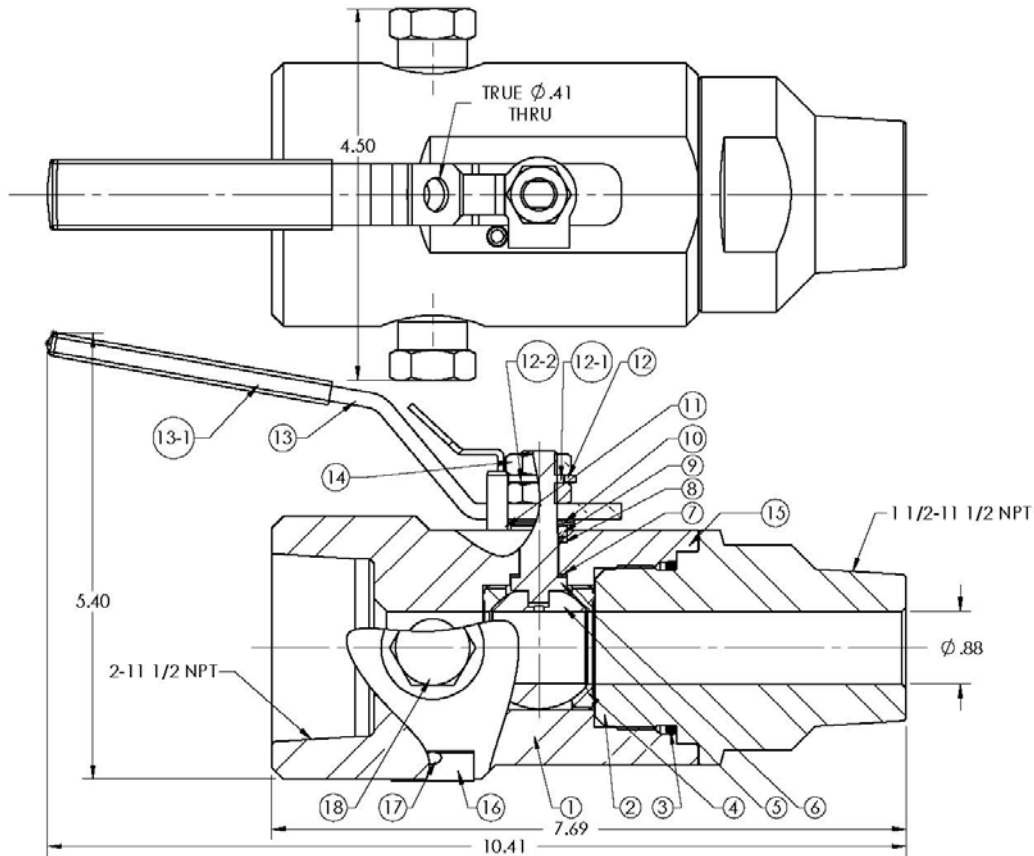
Calgary Sales Office

3516 114 Avenue SE
Calgary, Alberta
T2Z 3V6
Canada

Office: (403) 250-1416

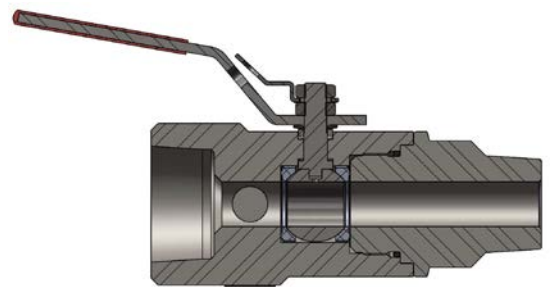
Fax: (403) 291-9487

CVS Series Isolation Valve – Assembly and Dimensions (inches)



CVS IB-2

ITEM	DESCRIPTION	MATERIAL	QTY.
1	CVS IB-2-001, BODY	A350-LF2 Zn PL	1
2	CVS IB-2-002, CAP	A350-LF2 Zn PL	1
3	CVS IB-2-003, O-RING	VITON	1*
4	CVS IB-2-004, SEAT	DELTRIN	2*
5	CVS IB-2-005, BALL	316 SST CHROME COATED	1
6	CVS IB-2-006, STEM	17-4 PH DHT 1150	1
7	CVS IB-2-007, THRUST WASHER	DELTRIN AF	1*
8	CVS IB-2-008, STEM PACKING	15% GFT	1*
9	CVS IB-2-009, PACKING FOLLOWER	316 SST	1
10	CVS IB-2-010, BELLEVILLE WASHER	302 SST	2
11	CVS IB-2-011, STOP PIN	420 SST	1
12	CVS IB-2-012, LOCK PLATE	316 SST	1
12-1	CVS IB-2-012-1, SPACER	316 SST	1
12-2	CVS IB-2-012-2, SPRING WASHER	302 SST	1
13	CVS IB-2-013, HANDLE	A366 Zn PL	1
13-1	CVS IB-2-013-1, HANDLE COVER	VINYL	1*
14	CVS IB-2-014, STEM NUT	304 SST	2
15	CVS IB-2-015, SETSCREW(NOT SHOWN)	304 SST	2**
16	CVS IB-2-016, NAME PLATE	304 SST	1
17	CVS IB-2-017, DRIVE SRCEW	304 SST	2
18	CVS IB-2-018, PLUG, TEST SHIP	A105 Zn PL	2



* Repair Kit – SPRK-ISO-20

** Optional

CVS Controls Ltd. strives for the highest levels of quality and accuracy. The information included in this publication is presented for informational purposes only. CVS Controls Ltd. reserves the right to modify or change, and improve design, process, and specifications without written notice. Under no circumstance is the information contained to be interpreted to be a guarantee/warranty with regard to our products or services, applicability or use.

Selection, use and maintenance are the sole responsibility of the end user and purchaser. CVS Controls assumes no liability for the selection use and maintenance of any product.