

CVS

Controls Ltd.

INSTRUCTION MANUAL

CVS P32 LP Gas Reducing Regulator

The CVS Controls P32 Regulator is a non-relieving, pressure reducing regulator suitable for use in lower flow, LP gas applications (Natural Gas and Propane). As well as standard compressed air applications.

Features:

The CVS P32 Regulator provides excellent regulation and stability. Field adjustable and serviceable.

Typical applications include:

- Compressed Air
- Actuators
- Valve Positioning
- Pneumatic Pressure Controllers
- Fuel Gas



CVS P32 LP Gas Regulator

Head Office
3900 101 Street
Edmonton, Alberta
T6E 0A5
Canada
Office: (780) 437-3055
Fax: (780) 436-5461

CVS

Controls Ltd

Calgary Sales Office
205, 2323 - 32 Avenue
NE Calgary, Alberta
T2E 6Z3
Canada
Office: (403) 250-1416
Fax: (403) 291-9487

Website: www.cvs-controls.com

Email: info@cvs-controls.com

Specifications: CVS P32

Max Inlet Pressure: 250 PSIG (17.2 Bar)

Inlet/Outlet Port Size: 1/4"

Adjustments: Handwheel Standard

Construction: Aluminum, Plated Steel,
Buna-N, Brass, Zinc

Diaphragm Material: Nitrile/Polyester
Fabric

Temperature Range: 0°F to 160°F (-18°C to
71°C)

Approximate Shipping Weight: 1lb (0.45Kg)

Typical Vapour Capacity: Liquid Propane
Gas Capacity in BTU/H: 1/4", 1,500,000
(@100PSIG inlet pressure, 50% of output
range, 20% droop)

Outlet Pressure Range: 0-30 PSIG

***Note:** The recommended operating range
is between 10% and 100% of the
adjustment range. Although the regulator
may be shutoff, it is not intended for use in
applications below 3 PSIG

Flow Capacity: (at 20psi)
20.8 SCFM, Air Ps @20 PSIG for 1/4"

Installation:

It is recommended that only qualified or authorized personnel install and maintain the CVS P32 regulator.

Prior to installing, make sure there is no damage to the regulator, as well as foreign debris in all tubing or piping connections to the installation.

Ensure proper safety procedures are adhered to during installation and maintenance.

It is recommended that the CVS P32 Regulator be installed as close as possible to the supply instrument.

The CVS P32 may be installed at any angle without affecting performance.

Ensure the proper flow direction is used to prevent internal damage to the regulator. The flow direction is marked on the regulator body assembly as IN and OUT.

Apply a small amount of piping compound to the threads of the inlet and outlet piping.

Prior to start-up, relieve all pressure on the spring by turning the Handwheel counter clockwise.

Once supply pressure is applied to the regulator, test for leakage on all installation fittings.

To put the CVS P32 into service, slowly turn the Handwheel clockwise until the desired downstream pressure has been achieved. Tighten the locknut on the Handwheel stem to finalize installation.

Periodic inspection and maintenance may be required. If inspection reveals any issues, remove from service and repair or replace as required.

Contact a CVS Controls representative for more information.

Note: The CVS P32 Regulator is a non-relieving regulator. The use of a relief valve is recommended in the installation. Additionally the P32 cannot exhaust excess pressure at the regulator assembly. It may be require to cycle downstream flow in order to achieve an accurate output pressure.

Repair and Maintenance:

Refer to the assembly drawing for part identification to assist with the following instructions.

Disassembly:

1. Remove all spring pressure by turning the Handwheel (1) counter clockwise.



2. Remove Qty. 4, screws (17) holding the Spring Case (2) and the Body Assembly (1) together. Lift off the spring case, and remove the Spring (5), and Upper Spring Seat (6)



3. Remove and inspect the Diaphragm Assembly (11) from the Lower Body Assembly (1).

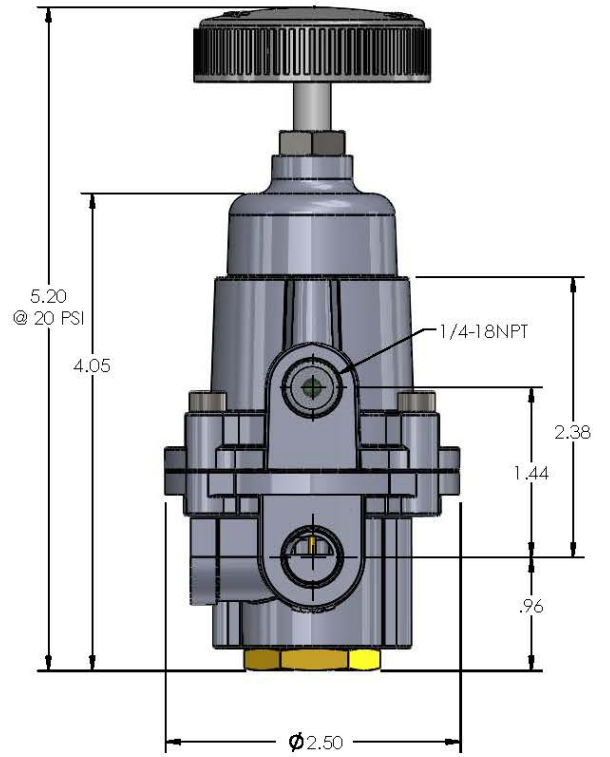
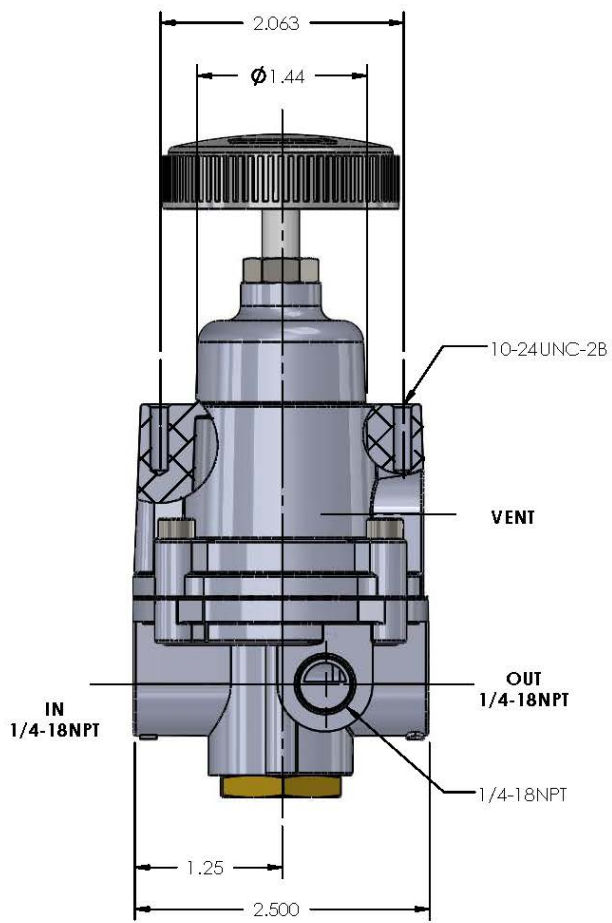


4. The Inlet Filter (13), Plug (12), and Spring (14), can be accessed by first removing the Filter Plug (16) using a 1" wrench or similar

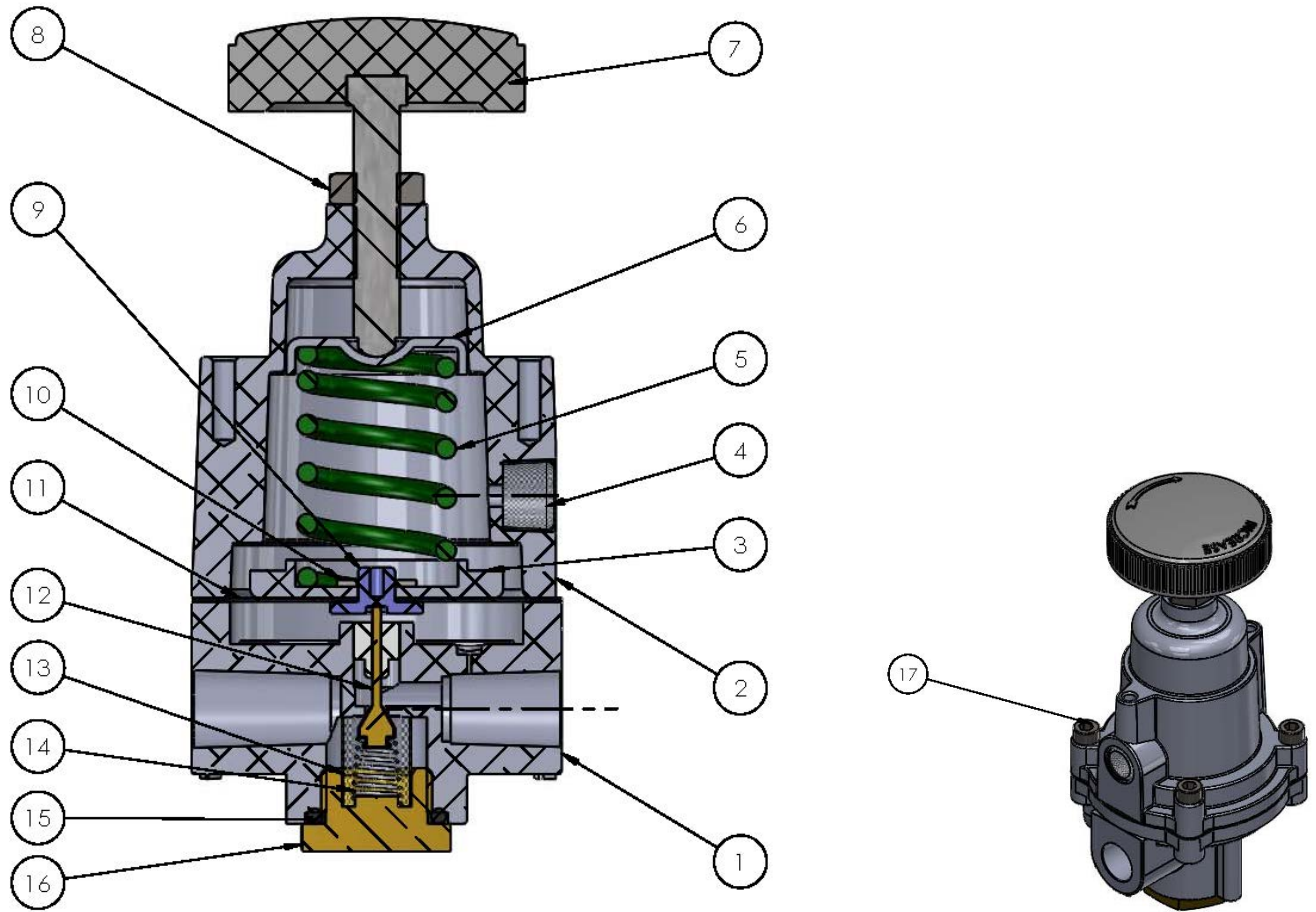
Inspect all components for visible damage and replace or repair as necessary.

Reassemble in reverse order.

Dimensional Data: Inches



CVS P32 Assembly:



Item	Part Number	Description	Item	Part Number	Description
1	CVS P3200001	Body Assembly	11	CVS P3200011	Diaphragm
2	CVS P3200002	Spring Case	12	CVS P3200012	Plug
3	CVS P3200003	Lower Seat Ring	13	CVS P3200013	Inlet Filter
4	CVS P3200004	Vent Screen	14	CVS P3200014	Spring, Plug
5	CVS P3200005	Spring , 0-30 PSIG	15	CVS P3200015	O-ring #116
6	CVS P3200006	Upper Spring Seat	16	CVS P3200016	Filter Cap
7	CVS 1B7992000A2	Adjusting Knob Assembly	17	CVS P3200017	RH Bolt, #10-24 x 0.88 Long
8	CVS P3200008	5/16-24 Hex Nut			
9	CVS P3200009	Diaphragm Pin			
10	CVS P3200010	1/4" Lockwasher			

Notes:

Notes:

CVS Controls Ltd. strives for the highest levels of quality and accuracy. The information included in this publication is presented for informational purposes only. CVS Controls Ltd. reserves the right to modify or change, and improve design, process, and specifications without written notice. Under no circumstance is the information contained to be interpreted to be a guarantee/warranty with regard to our products or services, applicability or use.

Selection, use and maintenance are the sole responsibility of the end user and purchaser. CVS Controls assumes no liability for the selection use and maintenance of any product.

CVS

Controls Ltd.

Head Office

3900 101 Street
Edmonton, Alberta
T6E 0A5
Canada
Office: (780) 437-3055
Fax: (780) 436 5461

Calgary Sales Office

205, 2323 – 32 Avenue NE
Calgary, Alberta
T2E 6Z3
Canada
Office: (403) 250-1416
Fax: (403) 291-9487

Website: www.cvs-controls.com

Email: info@cvs-controls.com

October 2014